


USER MANUAL

G⁴ STYLUS ADDENDUM

1.2 COMPONENTS

1.2.5 STYLUS



The G⁴ Stylus is a pen-shaped handheld device that combines a sensor with one push button. It connects to any Sensor Port and the Digital Accessory Port on the G⁴ Hub. When the button is pressed, input 1 of the Hub's Digital Accessory Port is excited. Using the G4Track tracking engine, the stylus can be used as a digitizer (Digitizer Mode) wherein one press on the button will emit one frame of data from the connected hub. Alternatively, the stylus button can be used as a Flow Control mechanism that starts and stops streaming continuous data from the hub. If neither of these modes is enabled, the button state simply appears in the "Digital Accessory State" field of the G⁴ P&O data frame.

Position measurements produced by the stylus are relative to the tip of the stylus. This *Tip Offset* is factory-calibrated precisely during manufacture.

The G⁴ Stylus is available in 8-inch and 3-inch form factors. Physical dimensions of each are detailed in Figures 1 and 2.

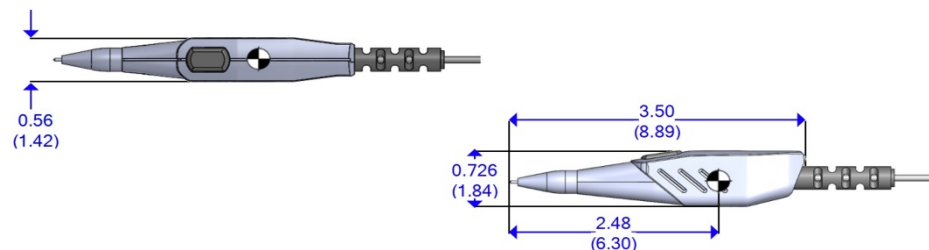


FIGURE 1. STYLUS-3 DIMENSIONS AND EM CENTER, INCHES (CM)

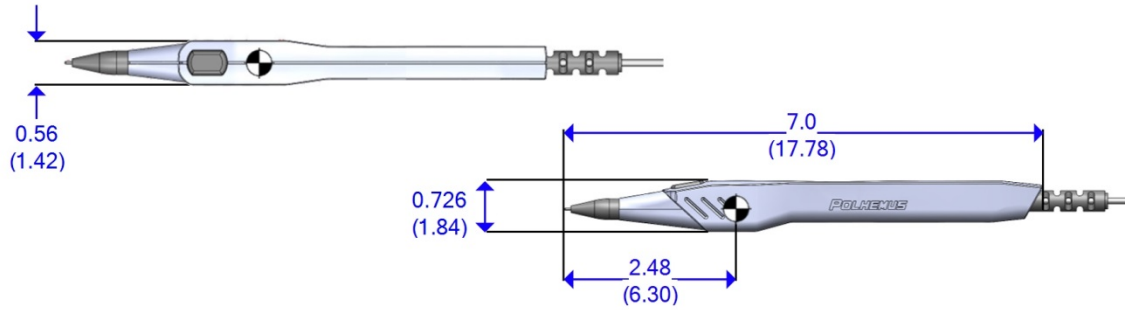


FIGURE 2. STYLUS-8 DIMENSIONS AND EM CENTER, INCHES (CM)